

**NOTE: This kit is designed for a 1400 Series Brushless Motor**

Insert tab into upper tubes and solder in place  
**Rear Axle Support**

Bend tabs up on wheelie bar support to fit upper rods

Suggested upper tubing .074" O.D.

ESC Mounting Position (isolate ESC from chassis)

Suggested tubing .080" O.D.

Suggested lower tubing .080" O.D.

4.25\*\*  
Lower Bar Length

5.90\*\*  
Main Rail Length

4.87\*\*  
Wheelbase

.062" stainless rod

1.31

Front body pin mounts KCR-FBMS

2.75\*\*

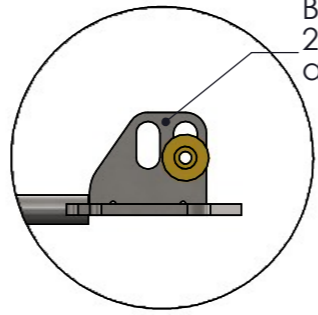
1400 Series BLDC Mount  
 3/16" hole for 3/32" bushing or bearing

Body pin mounts 2 positions adjustable up/down

Front Axle Mount

.35

SECTION A-A  
SCALE 1 : 1



**DETAIL B**  
SCALE 2 : 1

\* This dimension may need adjustment for bumper clearance in your kit.

\*\* These dimensions are for a typical 1/24 scale funny car model adjustments may be necessary to fit your particular body.

<b>KC RACING</b>		HUDSONVILLE, MICHIGAN USA	
The contents of this document are provided on a restricted basis and are not to be used in any way detrimental to the interests of KC Racing. Copyright © KC Racing. All rights reserved.			
Tolerances +/- .005 [0.13] unless noted			
Primary units - inches, metric [mm]			
<b>Drag Chassis Build Dimensions</b>			
DATE	REV	BY	APP
KCL	11/12/23		
THIRD ANGLE PROJECTION		SHEET	
B		KCR-SW4 DIM	
		1 OF 1	

© Copyright 2023